

**155Mb/s CWDM SFP Transceiver (KW3280D-XX)**  
**Duplex LC, +3.3V, 1271~1611nm DFB-LD, Single-Mode, DDMI**



- ✧ Hot-Pluggable Duplex LC/PC Connector
- ✧ Single +3.3V Power Supply
- ✧ Operating Temperature from 0°C to 70°C
- ✧ Compliant with ITU-T G694.2
- ✧ Compliant with Telcordia (Bellcore) GR-468-CORE
- ✧ Designed to meet Laser Class 1 Compliant with IEC60825-1

**Features:**

- ✧ 18 CWDM Wavelengths Available
- ✧ Build-in Isolator Optional

**Applications:**

- ✧ SONET OC-3/SDH STM-1
- ✧ Fast Ethernet
- ✧ Other Optical Links

**Description:**

Kewei's KW3280D-XX CWDM Transceiver products provide optical networking equipment manufacturers with a timely and cost effective tool in supporting the unceasing demand for higher bandwidth equipment build-outs in the enterprise access and metropolitan area networks. There are 18 center wavelengths available from 1271nm to 1611nm. The 20nm channel spacing allows for un-cooled laser operation, a high yield manufacturing process, and lower cost Mux/Demux technology, thus providing a complete cost effective solution for various data and telecom applications.

**Specification:**

● **Absolute Maximum Ratings:(T<sub>C</sub>=25°C)**

Parameter	Symbol	Min.	Max.	Units
Storage Temperature	T <sub>st</sub>	-40	+85	°C
Case Operating Temperature	T <sub>op</sub>	0	+70	°C
Supply Voltage	V <sub>cc</sub>	0	V <sub>cc</sub>	V
Output Current	I <sub>o</sub>	0	30	mA

● **Operating Environment:**

Parameter	Symbol	Min.	Max.	Units
Supply Voltage	V <sub>CC</sub>	+3.1	+3.5	V
Ambient Operating Temperature	T <sub>A</sub>	-20	70	°C

● **Electrical and Optical Characteristics(Condition: T<sub>c</sub>= T<sub>op</sub>)**

Parameter	Symbol	Min.	Typical	Max.	Unit
Transmitter Differential Input Voltage	+/-TX_DAT	650		2000	mV p-p

**155Mb/s CWDM SFP Transceiver (KW3280D-XX)**  
**Duplex LC, +3.3V, 1271~1611nm DFB-LD, Single-Mode, DDMI**

Supply Current	I <sub>CC</sub>		200	250	mA
Tx_Disable Input Voltage – Low	V <sub>IL</sub>	0		0.8	V
Tx_Disable Input Voltage – High	V <sub>IH</sub>	2.0		V <sub>CC</sub>	V
Tx_Fault Output Voltage – Low	V <sub>OL</sub>	0		0.8	V
Tx_Fault Output Voltage – High	V <sub>OH</sub>	2.0		V <sub>CC</sub>	V
Receiver Differential Output Voltage	+/-RX_DAT	400		2000	mV p-p
Rx_LOS Output Voltage- Low	V <sub>OL</sub>	0		0.8	V
Rx_LOS Output Voltage- High	V <sub>OH</sub>	2.0		V <sub>CC</sub>	V
<b>Transmitter</b>					
Data Rate	B	-	155	-	Mb/s
Output Center Wavelength(0~70°C)	$\lambda_c$	$\lambda-6.5$	$\lambda$	$\lambda+6.5$	nm
Output Spectral Width	$\Delta\lambda$	-	-	1	nm
Average Output Power	P <sub>O</sub>	-5	-	0	dBm
Extinction Ratio	E.R.	9	-	-	dB
Rise and Fall Time (20~80%)	T <sub>r</sub>	-		0.15	ns
Data Input Voltage-High	V <sub>IHS</sub>	V <sub>CC</sub> -1.16	-	V <sub>CC</sub> -0.89	V
Data Input Voltage -Low	V <sub>ILS</sub>	V <sub>CC</sub> -1.82	-	V <sub>CC</sub> -1.48	V
Supply Current	I <sub>CC</sub>	-	-	120	mA
Output Optical Eye	Compliant with Eye Mask Defined in IEEE 802.3 standard				
<b>Receiver</b>					
Date Rate	B	-	155	-	Mb/s
Receive Sensitivity	S	-	-	-34	dBm
Maximum Input Power	P <sub>max</sub>	0	-	-	dBm
Operating Wavelength	$\lambda_c$	1100	-	1620	nm
RX_LOS Assert	LOS A	-45			dBm
RX_LOS De-assert	LOS D			-35	dBm
Hysteresis	-		2.0		dBm
Supply Current	I <sub>CC</sub>	-	-	110	mA
Rise and Fall Time (20~80%)	T <sub>r</sub> /T <sub>f</sub>			1.3	ns
Output High Voltage	V <sub>OH</sub>	V <sub>CC</sub> -1.03	-	V <sub>CC</sub> -0.89	V
Output Low Voltage	V <sub>OL</sub>	V <sub>CC</sub> -1.82	-	V <sub>CC</sub> -1.63	V
Alarm Output Interface	LV-TTL				

● **Timing Characteristics:**

Parameter	Symbol	Min.	Typical	Max.	Unit
TX_DISABLE Assert Time	t <sub>off</sub>		3	10	Usec
TX_DISABLE Negate Time	t <sub>on</sub>		0.5	1	msec
Time to Initialize Include Reset of TX_FAULT	t <sub>int</sub>		30	300	msec
TX_FAULT from Fault to Assertion	t <sub>fault</sub>		20	100	Usec

**155Mb/s CWDM SFP Transceiver (KW3280D-XX)**  
**Duplex LC, +3.3V, 1271~1611nm DFB-LD, Single-Mode, DDMI**

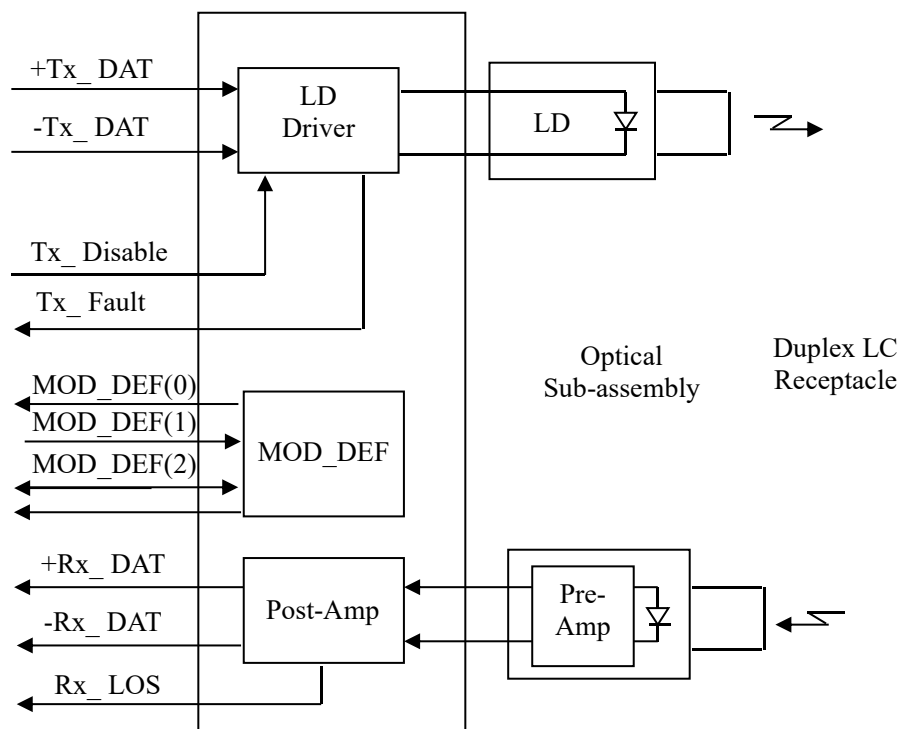
TX_DISBEL Time to Start Reset	t_reset	10			Usec
Receiver Loss of Signal Assert Time (off to On)	T <sub>A,RX_LOS</sub>			100	Usec
Receiver Loss of Signal Assert Time (On to Off)	T <sub>d,RX_LOS</sub>			100	Usec

● **Digital Diagnostic Monitor Characteristics**

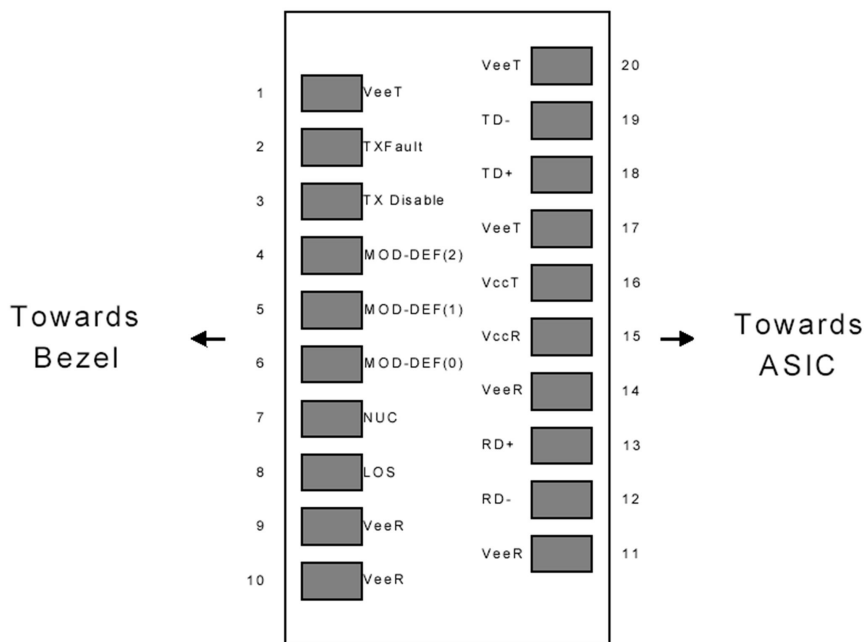
The following digital diagnostic characteristics are defined over the Recommended Operating Environment unless otherwise specified. It is compliant to SFF8472 Rev10.2 with internal calibration mode. For external calibration mode please contact our sales staff.

Parameter	Symbol	Min.	Max.	Unit
Temperature monitor absolute error	DMI_Temp	-3	3	degC
Laser power monitor absolute error	DMI_TX	-3	3	dB
RX power monitor absolute error	DMI_RX	-3	3	dB
Supply voltage monitor absolute error	DMI_VCC	-0.08	0.08	V
Bias current monitor	DMI_Ibias	-10%	10%	mA

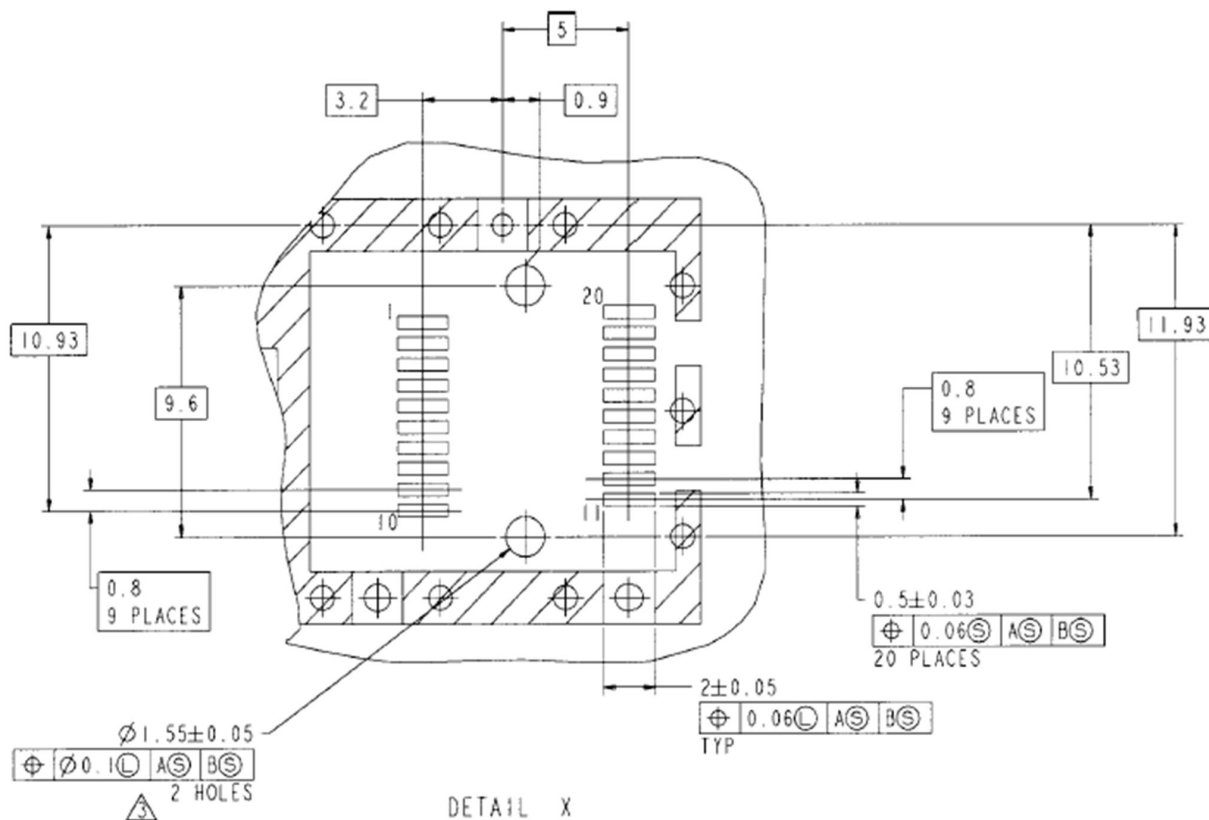
**Block Diagram of Transceiver:**



**Pin Assignment:**

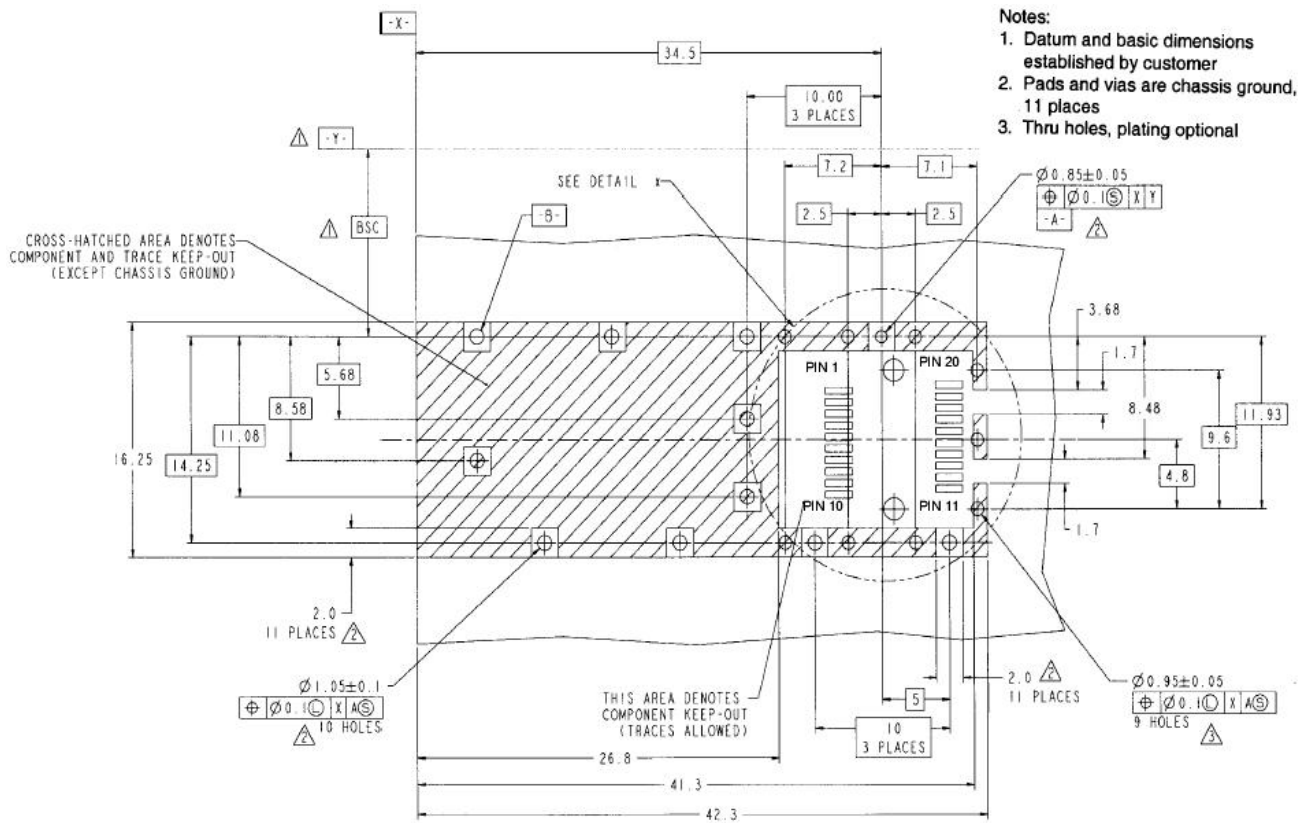


**Pin out of Connector Block on Host Board**



**SFP Host Board Mechanical Layout**

**155Mb/s CWDM SFP Transceiver (KW3280D-XX)**  
**Duplex LC, +3.3V, 1271~1611nm DFB-LD, Single-Mode, DDMI**



**SFP Host Board Mechanical Layout(Cont)**

**Pin Description:**

Pin No	Name	Function	Notes
1	VeeT	Transmitter Ground	1
2	TX Fault	Transmitter Fault Indication	
3	TX Disable	Transmitter Disable	2
4	MOD-DEF2	Module Definition	3
5	MOD-DEF1	Module Definition 1	3
6	MOD-DEF0	Module Definition 0	3
7	Rate Select	Not Connected	4
8	LOS	Loss of Signal	5
9	VeeR	Receiver Ground	1
10	VeeR	Receiver Ground	1
11	VeeR	Receiver Ground	1
12	RD-	Inv. Received Data Out	6
13	RD+	Received Data Out	6
14	VeeR	Receiver Ground	1
15	VccR	Receiver Power	1
16	VccT	Transmitter Power	
17	VeeT	Transmitter Ground	
18	TD+	Transmit Data In	6
19	TD-	Inv. Transmit In	6
20	VeeT	Transmitter Ground	

**Notes:**

1. Circuit ground is internally isolated from chassis ground.

**155Mb/s CWDM SFP Transceiver (KW3280D-XX)**  
**Duplex LC, +3.3V, 1271~1611nm DFB-LD, Single-Mode, DDMI**

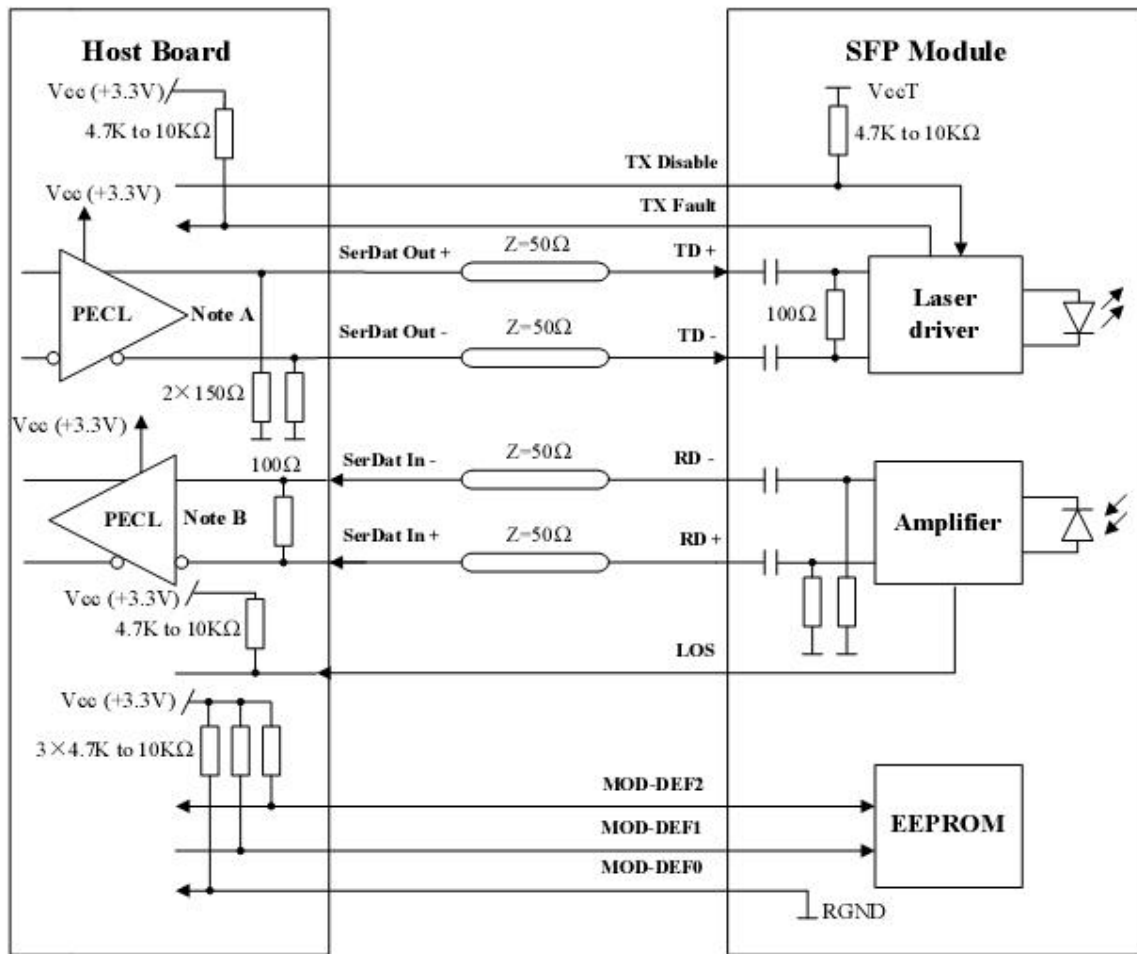
---

2. Laser output disabled on TDIS >2.0V or open, enabled on TDIS <0.8V.
3. Should be pulled up with 4.7k - 10 kohms on host board to a voltage between 2.0V and 3.6V. MOD\_DEF(0) pulls line low to indicate module is plugged in.
4. Rate select is not used
5. LOS is open collector output. Should be pulled up with 4.7k – 10 kohms on host board to a voltage between 2.0V and 3.6V. Logic 0 indicates normal operation; logic 1 indicates loss of signal.
6. AC Coupled

**Serial ID Memory Contents:**

Data Address	Length (Byte)	Name of Length	Description and Contents
<b>Base ID Fields</b>			
0	1	Identifier	Type of Serial transceiver (03h=SFP)
1	1	Reserved	Extended identifier of type serial transceiver (04h)
2	1	Connector	Code of optical connector type (07=LC)
3-10	8	Transceiver	Gigabit Ethernet 1000Base-ZX & Fiber Channel
11	1	Encoding	8B10B (01h)
12	1	BR,Nominal	Nominal baud rate, unit of 100Mbps
13-14	2	Reserved	(0000h)
15	1	Length(9um)	Link length supported for 9/125um fiber, units of 100m
16	1	Length(50um)	Link length supported for 50/125um fiber, units of 10m
17	1	Length(62.5um)	Link length supported for 62.5/125um fiber, units of 10m
18	1	Length(Copper)	Link length supported for copper, units of meters
19	1	Reserved	
20-35	16	Vendor Name	SFP vendor name
36	1	Reserved	
37-39	3	Vendor OUI	SFP transceiver vendor OUI ID
40-55	16	Vendor PN	Part Number: "KWXXXXXXX"
56-59	4	Vendor rev	(ASCII)Revision level for part number
60-61	2	Wavelength	Laser wavelength
62	1	Reserved	
63	1	CCID	Least significant byte of sum of data in address 0-62
<b>Extended ID Fields</b>			
64-65	2	Option	Indicates which optical SFP signals are implemented (001Ah = LOS, TX_FAULT, TX_DISABLE all supported)
66	1	BR, max	Upper bit rate margin, units of %
67	1	BR, min	Lower bit rate margin, units of %
68-83	16	Vendor SN	Serial number (ASCII)
84-91	8	Date code	Manufacturing date code
92-94	3	Reserved	
95	1	CCEX	Check code for the extended ID Fields (addresses 64 to 94)
<b>Vendor Specific ID Fields</b>			
96-127	32	Readable	Specific date, read only

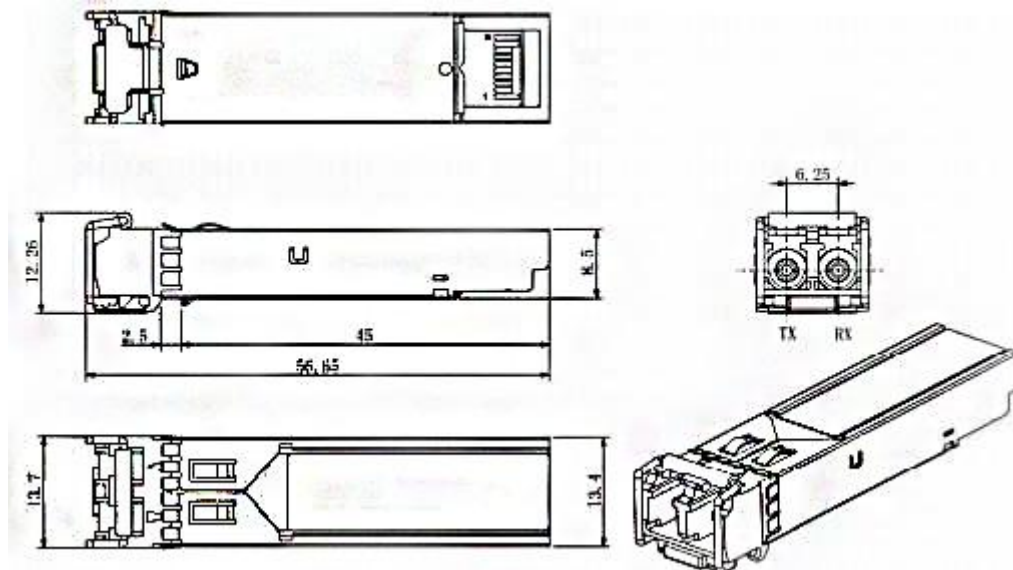
**Recommended Circuit:**



Note A: Circuit assumes open emitter output

Note B: Circuit assumes high impedance internal bias @  $V_{cc}=1.3V$

**Mechanical Dimensions:**



**Note: In the Part No. of KW3280D-XX, XX stands for wavelength, such as:**  
**27: for 1271nm, 29: for 1291nm, 31: for 1311nm, 33: for 1331nm, 35: for 1351nm,**  
**37: for 1371nm, 39: for 1391nm, 41: for 1411nm, 43: for 1431nm, 45: for 1451nm,**  
**47: for 1471nm, 49: for 1491nm, 51: for 1511nm, 53: for 1531nm, 55: for 1551nm,**  
**57: for 1571nm, 59: for 1591nm, 61: for 1611nm.**

Kewei reserves the right to make changes to the products or information contained herein without notice. No liability is assumed as a result of their use or application. No rights under any patent accompany the sale of any such products or information.

Published by Kunshan Kewei Fiber Communications Equipment Co., Ltd.

Copyright © KEWEI

All Rights Reserved